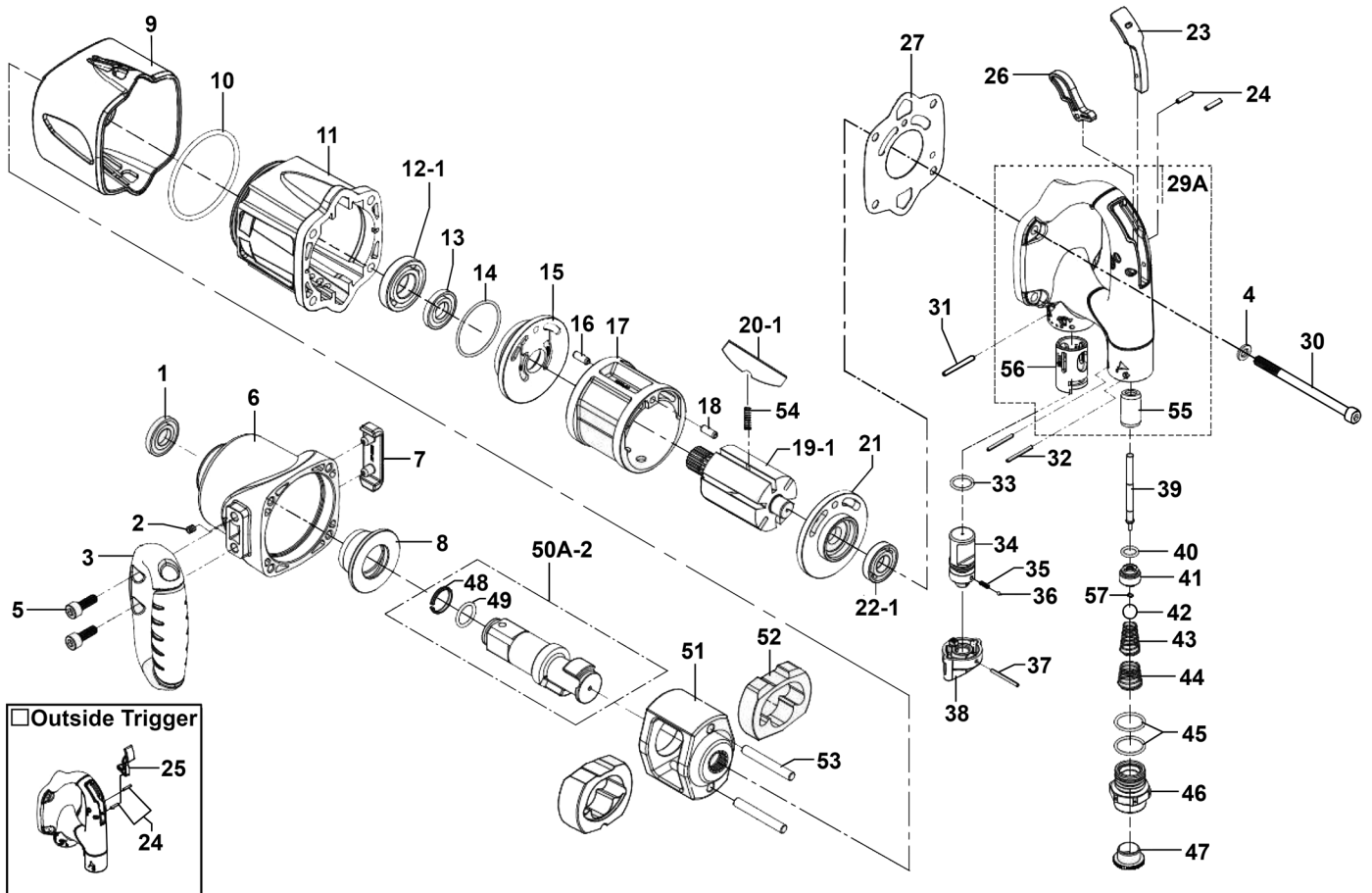




Parts Information:
Air Impact Wrench 1" Sq Drive Twin Hammer
Model No: SA686.V2



| Item | Part No. | Description | Qty |
|------|-------------|-------------------|-----|
| 1 | SA686-V2-01 | Oil Seal | 1 |
| 2 | SA686-V2-02 | Grub Screw | 1 |
| 3 | SA686-V2-03 | Handle Dead | 1 |
| 4 | SA686-V2-04 | Spring Washer | 4 |
| 5 | SA686-V2-05 | Socket Cap Bolt | 2 |
| 6 | SA686-V2-06 | Hammer Case | 1 |
| 7 | SA686-V2-07 | Rubber Cap | 1 |
| 8 | SA686-V2-08 | Anvil Bushing | 1 |
| 9 | SA686-V2-09 | Motor Housing Cap | 1 |
| 10 | SA686-V2-10 | O-Ring | 1 |
| 11 | SA686-V2-11 | Motor Housing | 1 |
| 12-1 | B/R14 | Bearing R14 | 1 |
| 13 | SA686-V2-13 | Oil Seal | 1 |
| 14 | SA686-V2-14 | O-Ring | 1 |
| 15 | SA686-V2-15 | Front End Plate | 1 |
| 16 | SA686-V2-16 | Pin | 1 |
| 17 | SA686-V2-17 | Cylinder | 1 |

| Item | Part No. | Description | Qty |
|------|---------------|--------------------------|-----|
| 18 | SA686-V2-18 | Spring Pin | 1 |
| 19-1 | SA686-V2-19-1 | Rotor | 1 |
| 20-1 | SA686-V2-20-1 | Rotor Blade | 6 |
| 21 | SA686-V2-21 | Rear End Plate | 1 |
| 22-1 | SA686-V2-22-1 | Ball Bearing (R10) | 1 |
| 23 | SA686-V2-23 | Handle Cover | 1 |
| 24 | SA686-V2-24 | Spring Pin | 2 |
| 25 | SA686-V2-25 | Trigger (Outer) | 1 |
| 26 | SA686-V2-26 | Trigger (Inner) | 1 |
| 27 | SA686-V2-27 | Rear Gasket | 1 |
| 29A | SA686-V2-29A | Rear Handle Assembly | 1 |
| 30 | SA686-V2-30 | Socket Cap Bolt | 4 |
| 31 | SA686-V2-31 | Spring Pin | 1 |
| 32 | SA686-V2-32 | Pin | 2 |
| 33 | SA686-V2-33 | O-Ring | 1 |
| 34 | SA686-V2-34 | Reverse Valve | 1 |
| 35 | SA686-V2-35 | Spring for Reverse Valve | 1 |

NOTE: It is our policy to continually improve products and as such we reserve the right to alter data, specifications and component parts without prior notice. There may be alternative versions of this product, please contact us should you require this information.

IMPORTANT: No liability is accepted for incorrect use of product. Spare parts must be fitted by a competent person

WARRANTY: Guarantee is 12 months from purchase date, proof of which will be required for any claim.

Sealey Group, Kempson Way, Suffolk Business Park, Bury St Edmunds, Suffolk. IP32 7AR



01284 757500



01284 703534



sales@sealey.co.uk



www.sealey.co.uk



Parts Information:
**Air Impact Wrench 1" Sq Drive Twin
Hammer**
Model No: SA686.V2

| Item | Part No. | Description | Qty |
|------|-------------|----------------|-----|
| 36 | SA686-V2-36 | Steel Ball | 1 |
| 37 | SA686-V2-37 | Spring Pin | 1 |
| 38 | SA686-V2-38 | Reverse Lever | 1 |
| 39 | SA686-V2-39 | Throttle Pin | 1 |
| 40 | SA686-V2-40 | O-Ring | 1 |
| 41 | SA686-V2-41 | Valve Stem | 1 |
| 42 | SA686-V2-42 | Nylon Ball | 1 |
| 43 | SA686-V2-43 | Conical Spring | 1 |
| 44 | SA686-V2-44 | Stem Spring | 1 |
| 45 | SA686-V2-45 | O-Ring | 2 |
| 46 | SA686-V2-46 | Air Inlet | 1 |

| Item | Part No. | Description | Qty |
|-------|----------------|------------------------|-----|
| 47 | SA686-V2-47 | Dust Cover | 1 |
| 48 | SA686-V2-48 | Anvil Collar | 1 |
| 49 | SA686-V2-49 | O-Ring | 1 |
| 50A-2 | SA686-V2-50A-2 | Anvil 6" | 1 |
| 51 | SA686-V2-51 | Hammer Cage | 1 |
| 52 | SA686-V2-52 | Hammer Dog | 2 |
| 53 | SA686-V2-53 | Hammer Pin | 2 |
| 54 | SA686-V2-54 | Spring for Rotor Blade | 6 |
| 55 | SA686-V2-55 | Valve Sleeve | 1 |
| 56 | SA686-V2-56 | Reverse Valve Bushing | 1 |
| 57 | SA686-V2-57 | O-Ring | 1 |

NOTE: It is our policy to continually improve products and as such we reserve the right to alter data, specifications and component parts without prior notice. There may be alternative versions of this product, please contact us should you require this information.

IMPORTANT: No liability is accepted for incorrect use of product. Spare parts must be fitted by a competent person

WARRANTY: Guarantee is 12 months from purchase date, proof of which will be required for any claim.

Sealey Group, Kempson Way, Suffolk Business Park, Bury St Edmunds, Suffolk. IP32 7AR



01284 757500



01284 703534



sales@sealey.co.uk



www.sealey.co.uk